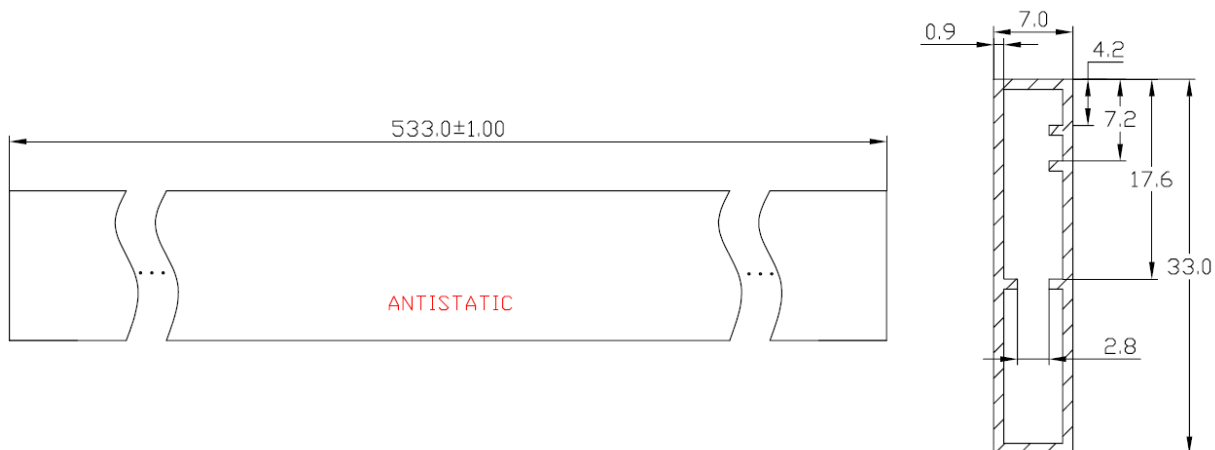
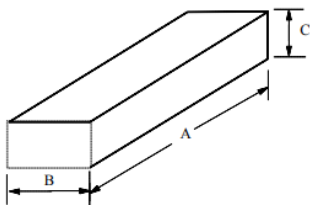


1. Tube Packing

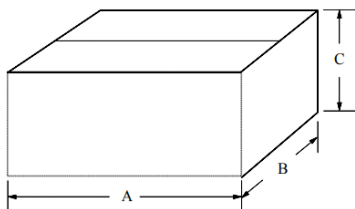
1.1 Tube Quantity 50 pcs / Tube



1.2 Inner Box



1.3 Carton

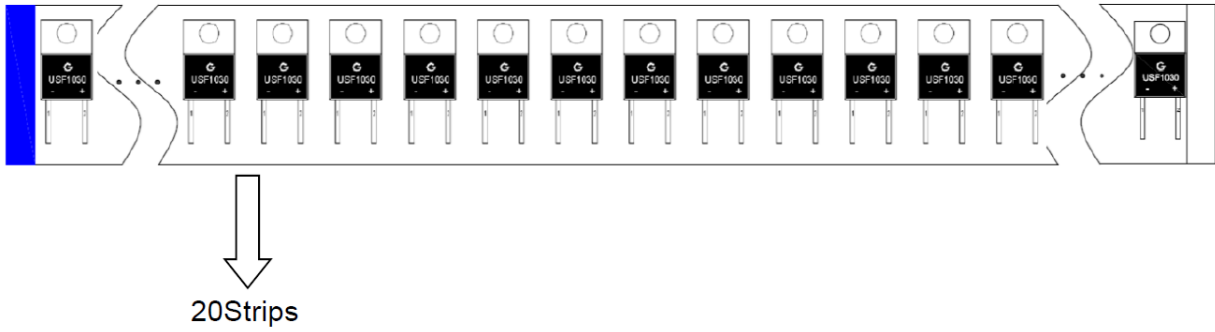


1.4 Dimensions (Unit : mm)

	A	B	C
Inner Box	568 ± 5	150 ± 5	50 ± 5
Carton	585 ± 5	275 ± 5	170 ± 5

1.5 Package

ONE ITEM(50pcs)



2. INNER BOX



BOX LABEL



3. CARTON



Put in carton(5 inner box)



2. Marking

Each reel shall be legibly marked with the following items.

PART NO.:BL817C

DATE: 2020-01-01

PKG.:DIP-4L

Q'TY: 30KPCS

RANGE: C 200-400



LOT. NO.: J1912001C

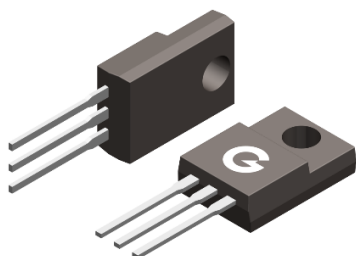


Changzhou Galaxy Century Microelectronics Co., Ltd.



3. Type

Product code of taping shall be composed as indicated below.



4. Recommended storage condition

Storage period

Use the products within 12 months after delivered.

The first reflow soldering should be performed within 168 hours after opening the moisture-proof.

Storage conditions

Products should be stored in the warehouse on the following conditions.

Temperature : 0~ 35° C

Humidity: 30 to 70% relative humidity No rapid change on temperature and humidity
 Don't keep products in corrosive gases such as sulfur, chlorine gas or acid, or it may cause oxidization of electrode, resulting in poor solderability.