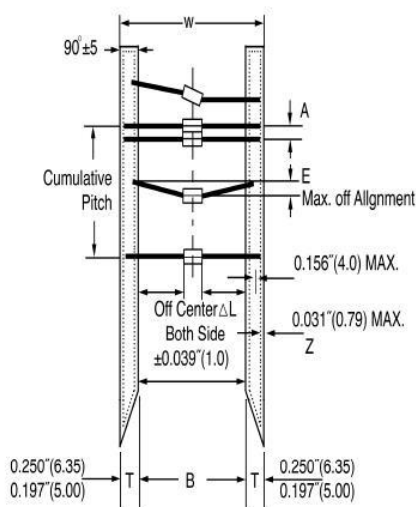


1. Taping dimensions (Unit : mm)

1) Scattered pipe



2) Braided tube

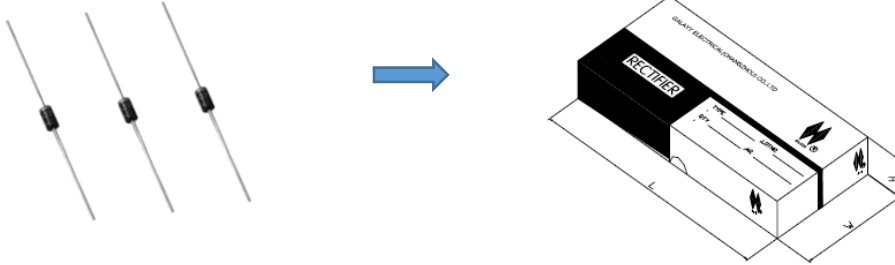


ITEMS	SYMBOLS	VALUE(mm)	VALUE(inch)
Max,Off Alignment	E	1.2	0.047
Tape Width	T	6.0±0.4	0.236±0.016
Exposed Adhesive	Z	0.79Max	0.031Max
Off Center Both Side	ΔL	1.0Max	0.039Max

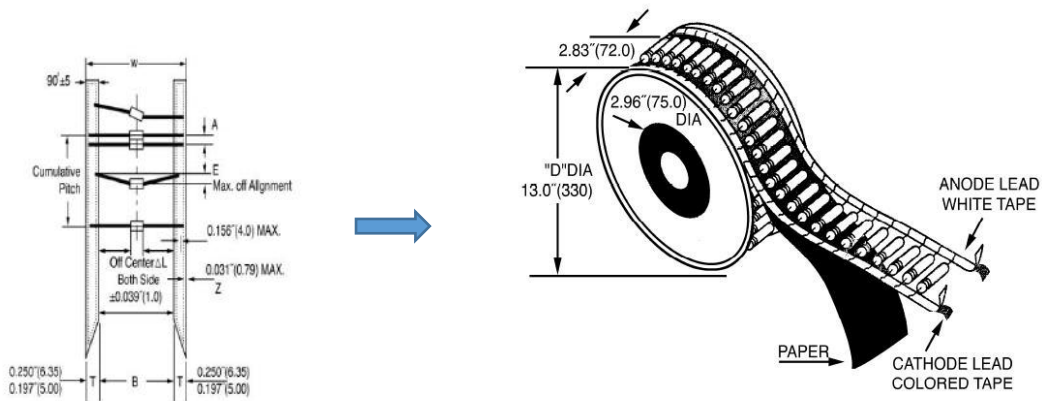
COMPONENT BODY DIAMETER	COMPONENT SPACING A(LEAD TO LEAD)	INSIDE TAPE SPACING B	CUMULATIVE PITCH TOLERANCE
0mm to 5mm (0.0" to 0.197")	5.0mm±0.5mm (0.197"±0.020")	26mm+1.5mm/-0.0mm (1.024"+0.059"/0.0")	Not to Exceed 1.5mm(0.059")over 6 consecutive components
0mm to 5mm (0.0" to 0.197")	5.0mm±0.5mm (0.197"±0.020")	52.0mm+1.5mm/-0mm (2.062"+0.059"/-0.016")	
5.01mm to 10mm (0.197" to 0.394")	10mm±0.5mm (0.394"±0.020")	52.0mm+1.5mm/-0mm (2.062"+0.059"/-0.016")	

2. Leading direction

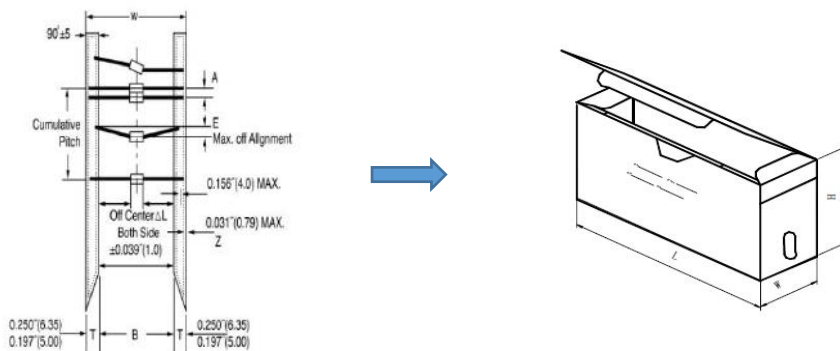
1) Packing of loose tube box



2) Ribbon reel packaging



3) Ribbon box packaging



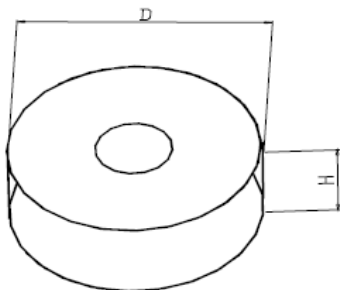
### 3. Quantity (Inner box)

#### 1) Packing of loose tube box

PACKAGING CODE	CASE TYPE	INNER BOX	
		(K)	SIZE(mm <sup>3</sup> )
LE	DO-15	1	198×85×28

#### 2) Ribbon reel packaging

PACKAGING CODE	CASE TYPE	INNER BOX			
		REEL (K)	COMPONENT SPACE (mm)	TAPE SPACE (mm)	REEL DIA (mm)
RD	DO-15	2.5	5	52	326-336



#### 3) Ribbon box packaging

PACKAGING CODE	CASE TYPE	INNER BOX			
		(K)	COMPONENT SPACE (mm)	TAPE SPACE (mm)	SIZE (mm <sup>3</sup> )
HF	DO-15	2.5	5	52	255×72×115
HS	DO-15	2.5	5	26	250×46×115

4. Marking

Each reel shall be legibly marked with the following items.



5. Type

Product code of taping shall be composed as indicated below.

Ex. RL207G      BL  
Type code      Logo

6. Recommended storage condition

Temperature 0 - 35°C, Humidity ≤ 70%RH

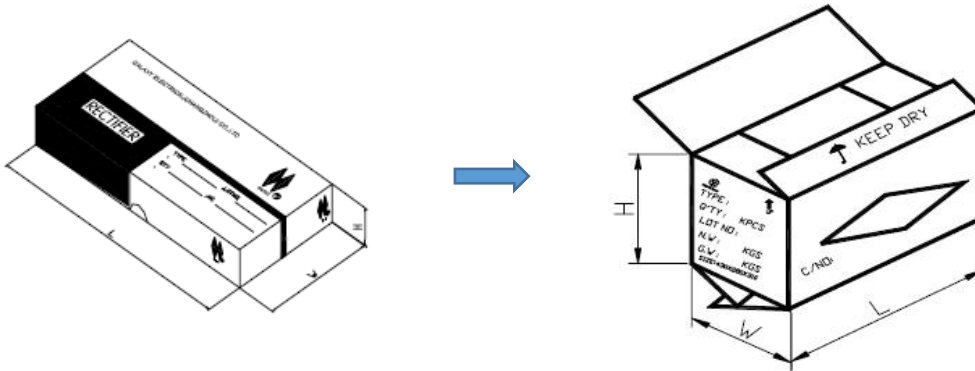
Recommended storage time period :

Plated products (Sn99.9%) :One years after production

Notes) It is recommended to confirm solderability before using products of which storage time is exceeding recommended storage time period.

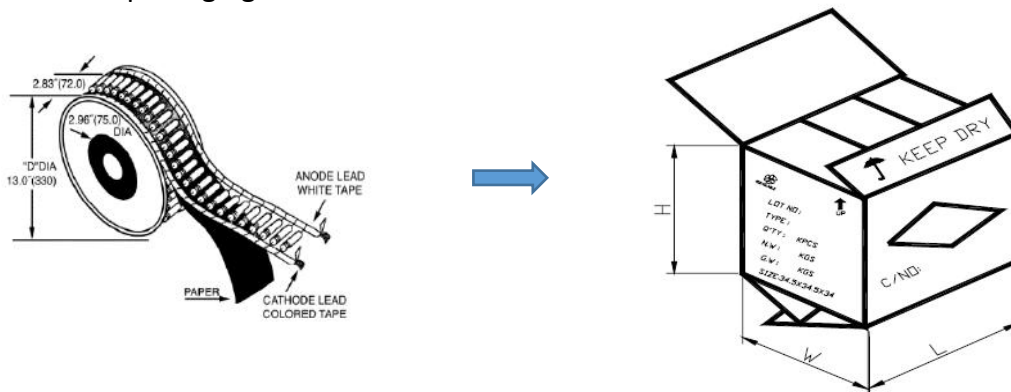
7. Recommended storage condition

1) Packing of loose tube box



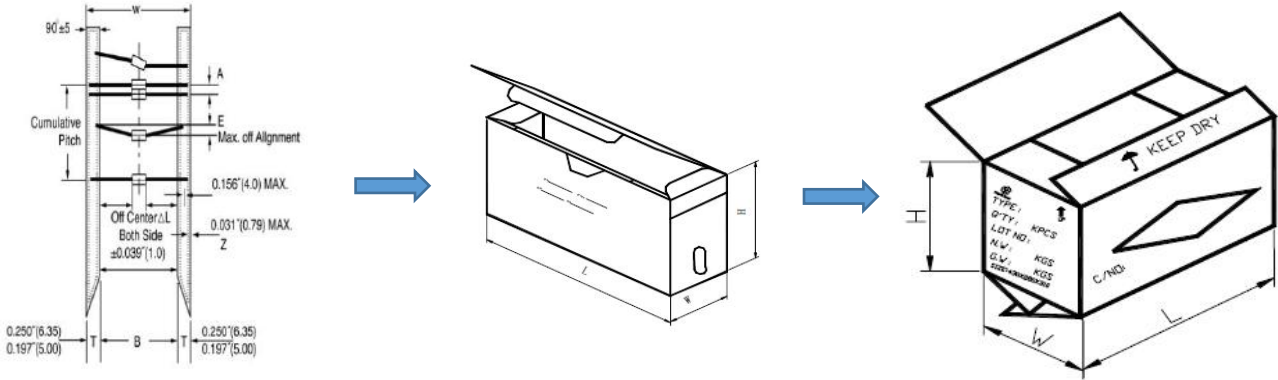
PACKAGING CODE	CASE TYPE	INNER BOX		CARTON		APPROX. WEIGHT (Kg)
		(K)	SIZE(mm <sup>3</sup> )	(K)	SIZE(mm <sup>3</sup> )	
LE	DO-15	1	198×85×28	50	443×215×305	21

2) Ribbon reel packaging



PACKAGING CODE	CASE TYPE	INNER BOX				CARTON		APPROX. WEIGHT (Kg)
		REEL (K)	COMPONENT SPACE (mm)	TAPE SPACE (mm)	REEL DIA (mm)	(K)	SIZE (mm <sup>3</sup> )	
RD	DO-15	2.5	5	52	326-336	12.5	355×350×457	9

3) bon box packaging



PACKAGING CODE	CASE TYPE	INNER BOX				CARTON		APPROX. WEIGHT (Kg)
		(K)	COMPONENT SPACE (mm)	TAPE SPACE (mm)	SIZE (mm <sup>3</sup> )	(K)	SIZE (mm <sup>3</sup> )	
HF	DO-15	2.5	5	52	255×72×115	25	395×270×255	12
HS	DO-15	2.5	5	26	250×46×115	35	400×270×335	18