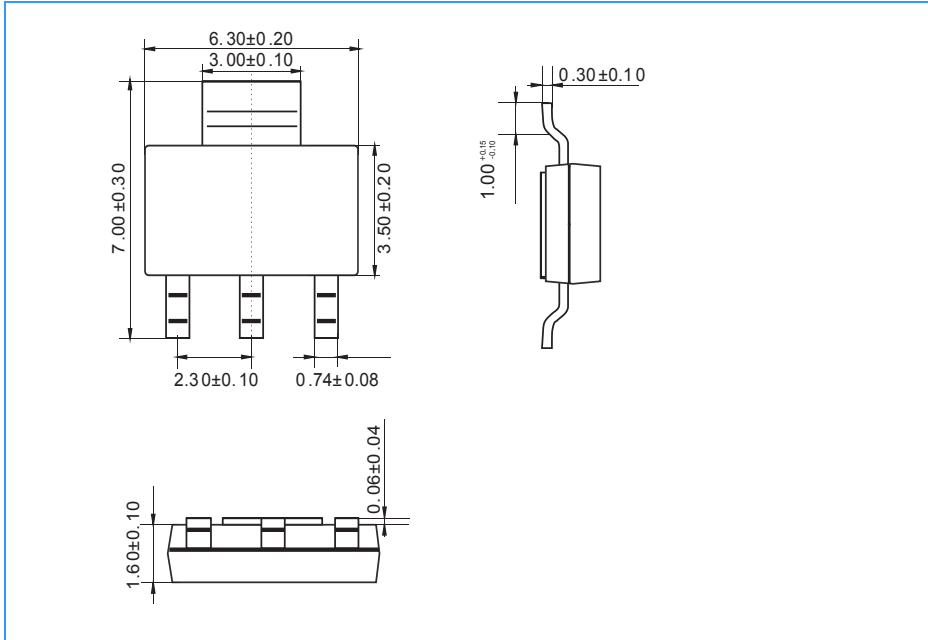


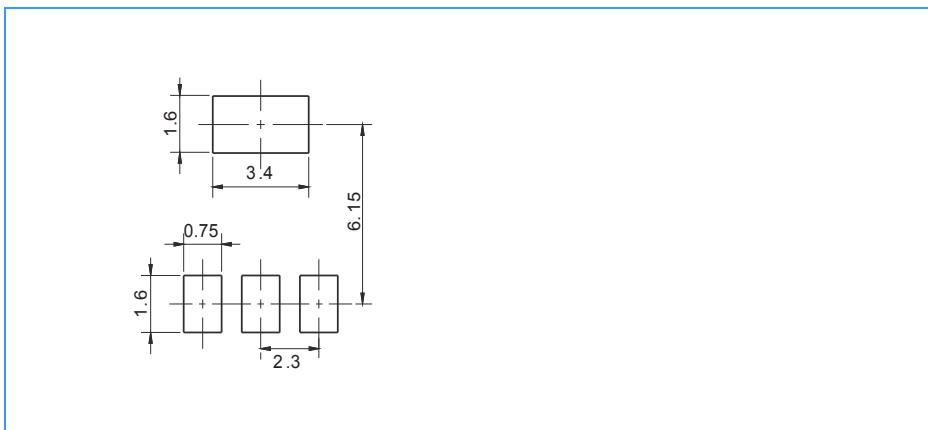
Package

SOT-223

Package Outline Dimensions (unit: mm)



Mounting Pad Layout (unit: mm)



Packing Information

Package	Shipping Quantity
SOT-223	4000 pcs / Tape & Reel