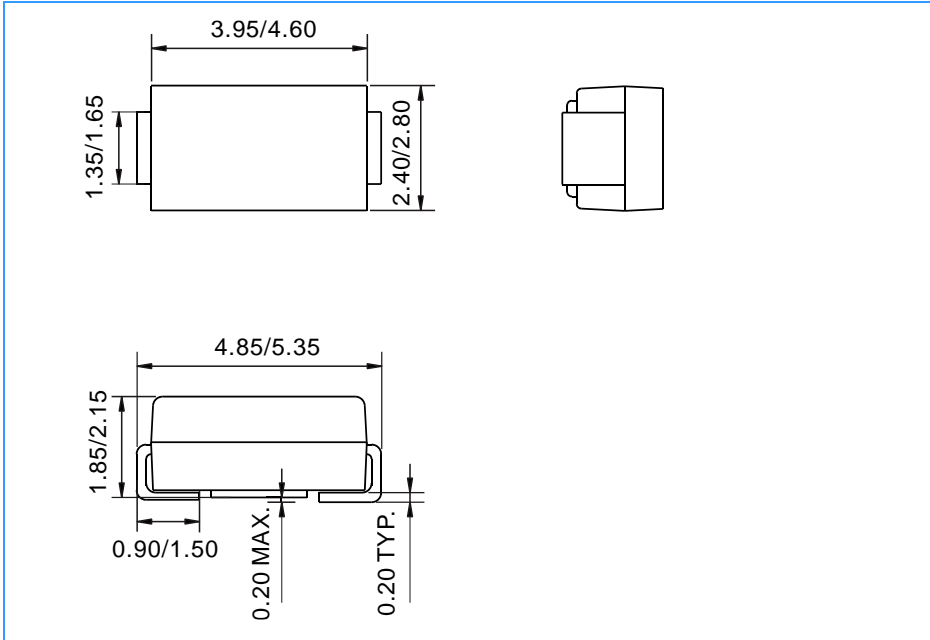


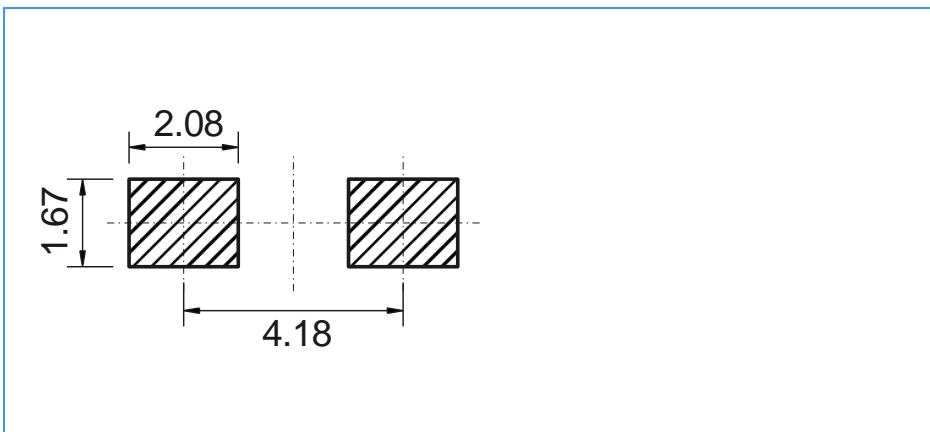
## Package

**SMA**

### Package Outline Dimensions (unit: mm)



### Mounting Pad Layout (unit: mm)



### Packing Information

Package	Shipping Quantity
SMA	5000 pcs / Tape & Reel