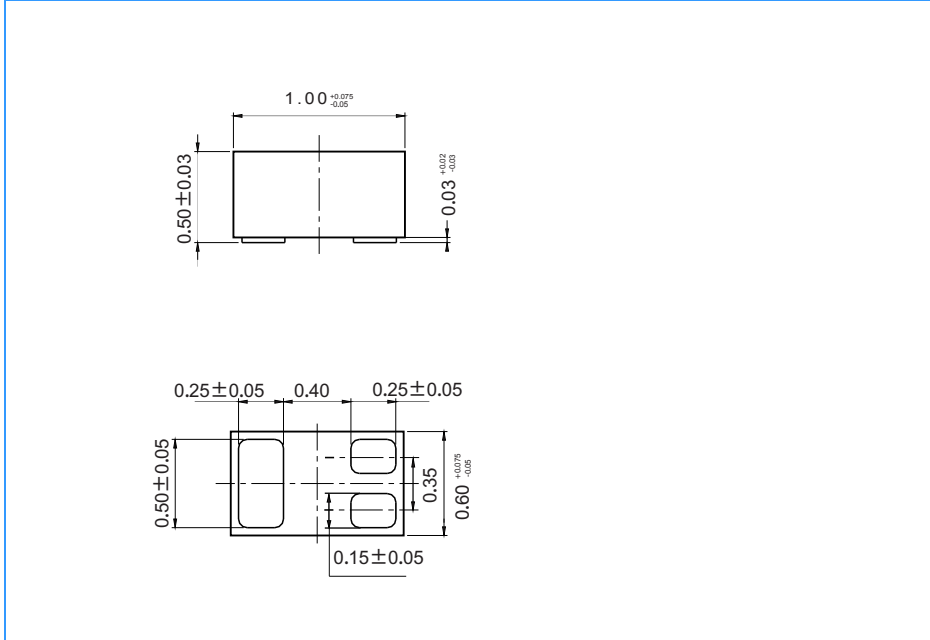


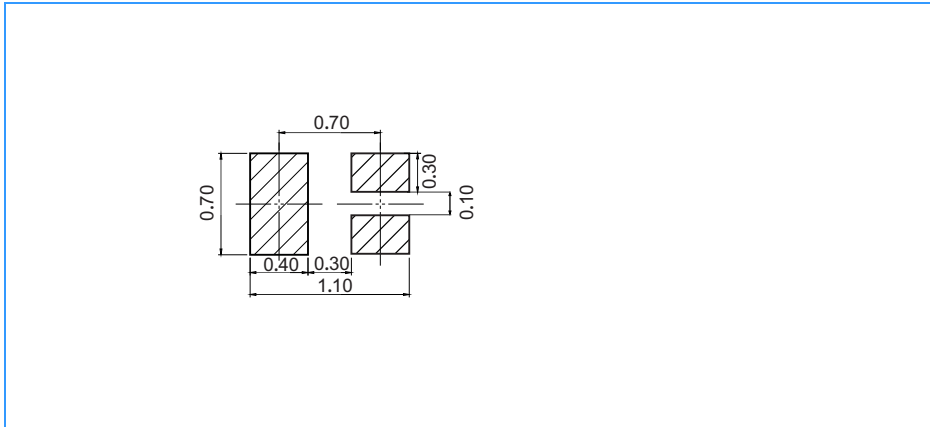
Package

DFN1006-3L

Package Outline Dimensions (unit: mm)



Mounting Pad Layout (unit: mm)



Packing Information

Package	Shipping Quantity
DFN1006-3L	10000 pcs / Tape & Reel