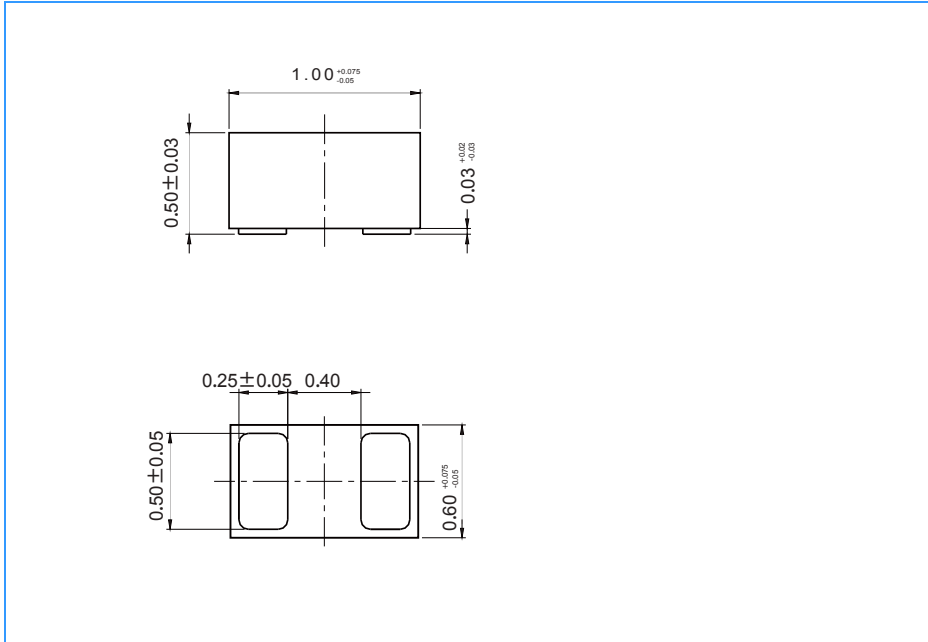


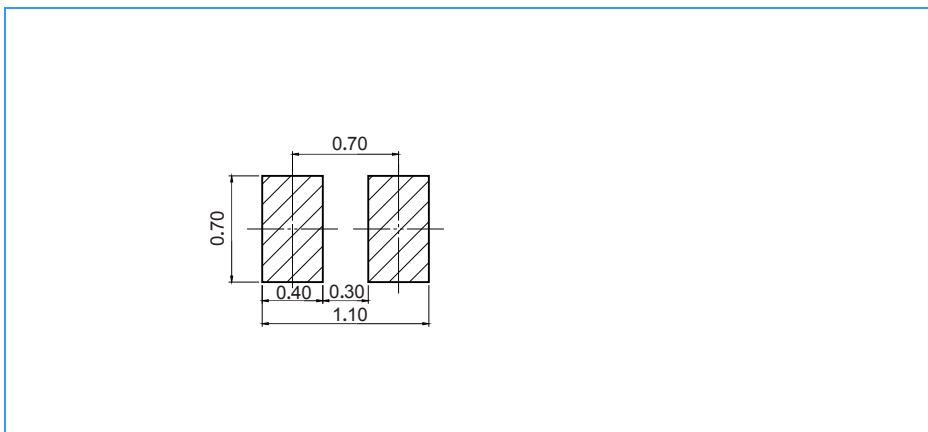
## Package

DFN1006-2L

### Package Outline Dimensions (unit: mm)



### Mounting Pad Layout (unit: mm)



### Packing Information

| Package    | Shipping Quantity       |
|------------|-------------------------|
| DFN1006-2L | 10000 pcs / Tape & Reel |