

Features

- Low forward voltage drop
- Fast switching speed
- Low capacitance
- Guard ring construction for transient protection

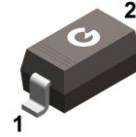
HF

Typical Applications

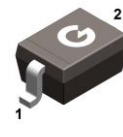
- Surface mount fast switching schottky diode

Mechanical Data

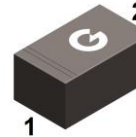
- Case: SOD-123, SOD-323, DFN1006-2
- Terminals: solderable per MIL-STD-202, Method 208



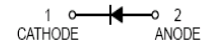
1N5711W
SOD-123



1N5711WS
SOD-323



1N5711L
DFN1006-2



Ordering Information

Part Number	Package	Shipping	Marking Code
1N5711W	SOD-123	3000 pcs / Tape & Reel	SA
1N5711WS	SOD-323	3000 pcs / Tape & Reel	SA
1N5711L	DFN1006-2	10000 pcs / Tape & Reel	SA

Maximum Ratings (@T_A=25°C unless otherwise specified)

Parameter	Symbol	Value	Unit
Peak Repetitive Reverse Voltage	V _{RRM}	70	V
Working Peak Reverse Voltage	V _{RWM}		
DC Reverse Voltage	V _R		
RMS Reverse Voltage	V _{R(RMS)}	49	V
Forward Continuous Current	I _F	15	mA

Thermal Characteristics

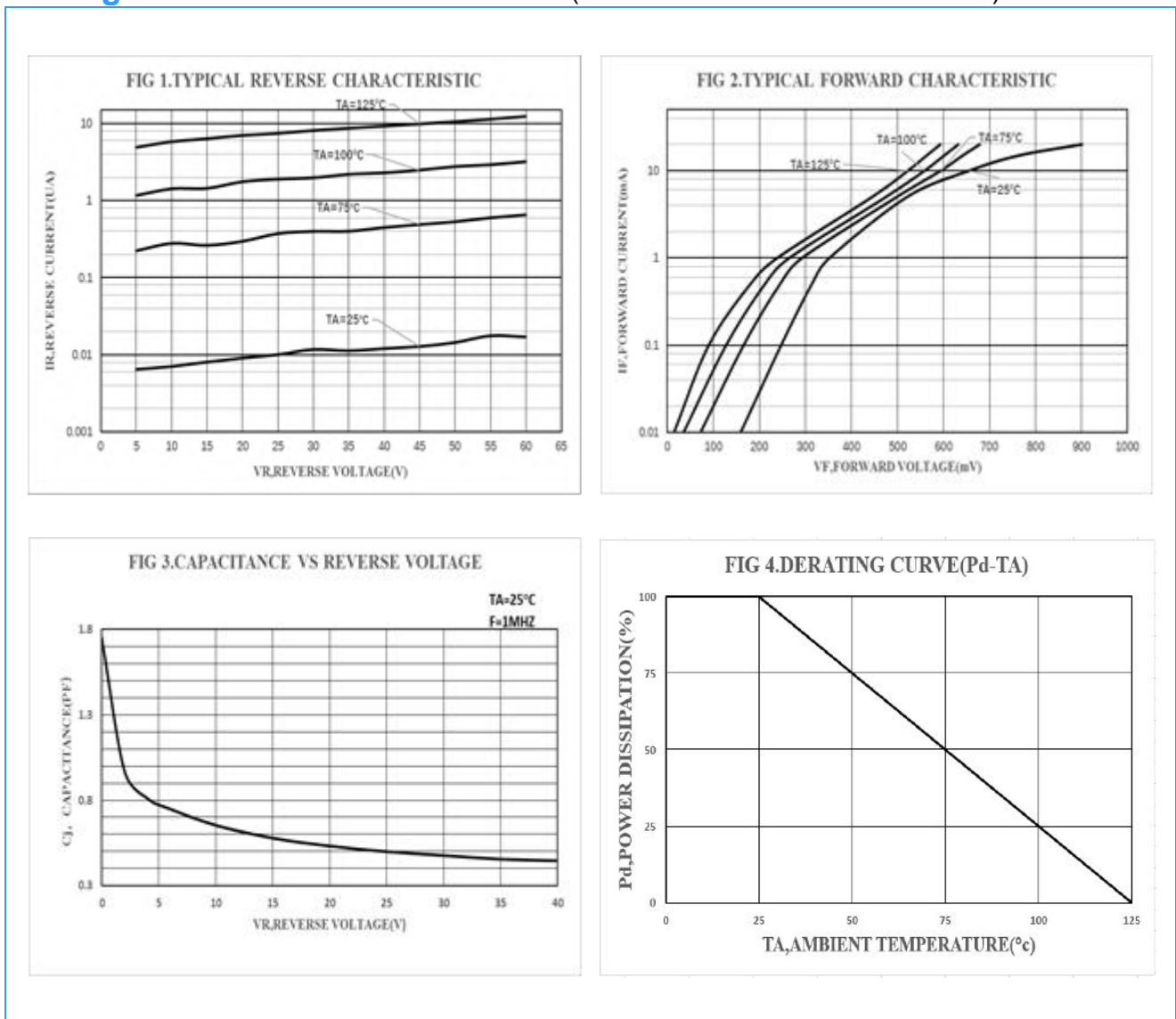
Parameter	Symbol	1N5711W	1N5711WS	1N5711L	Unit
Power dissipation	P _D	400	200	100	mW
Typical thermal resistance per leg	R _{θJA} *	250	500	1000	°C/W
Operating junction temperature range	T _J	-55 to +125			°C
Storage temperature range	T _{STG}	-55 to +150			°C

* Part mounted on FR-4 board with recommended pad layout

Electrical Characteristics (@T_A=25°C unless otherwise specified)

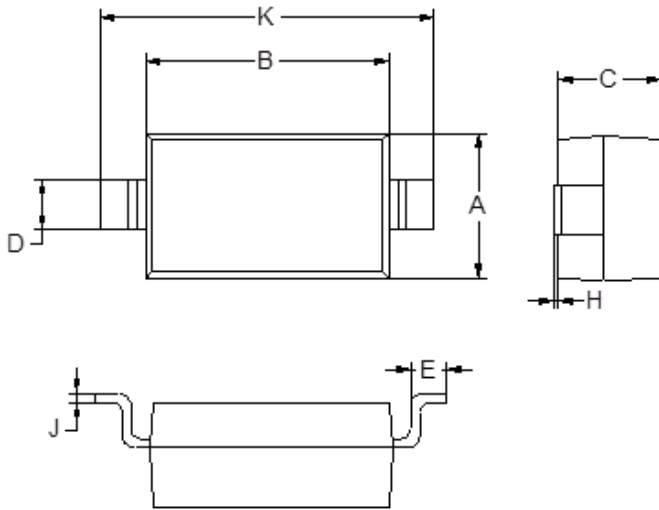
Parameter	Symbol	Conditions	Min	Typ	Max	Unit
Reverse Breakdown Voltage	V _{(BR)R}	I _R =10μA	70	-	-	V
Forward Voltage	V _F	I _F =1mA	-	-	0.41	V
		I _F =15mA	-	-	1	V
Reverse Leakage Current	I _R	V _R =50V	-	-	200	nA
Capacitance Between Terminals	C _T	V _R =0V, f=1MHz	-	-	2	pF
Reverse Recovery Time	t _{rr}	I _F =I _R =10mA, I _{rr} =0.1*I _R R _L =100Ω	-	-	1	ns

Ratings and Characteristic Curves (T_A=25°C unless otherwise noted)



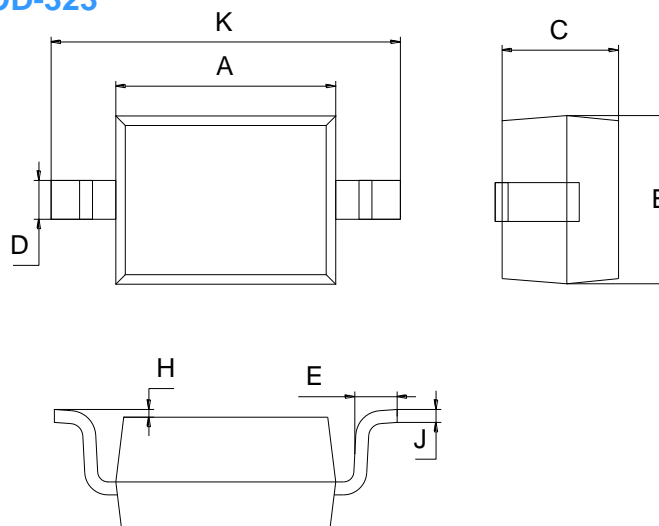
Package Outline Dimensions (unit: mm)

SOD-123



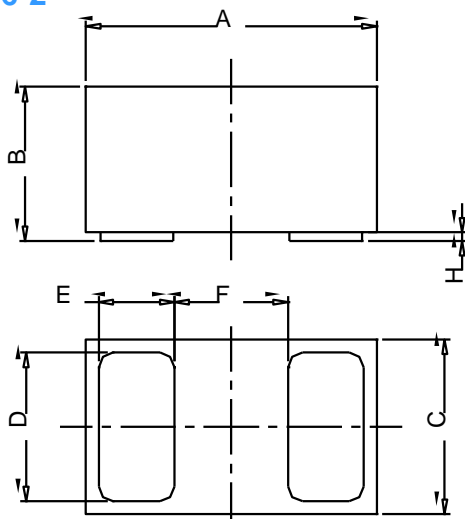
SOD-123		
Dim	Min	Max
A	1.45	1.75
B	2.55	2.85
C	1.00	1.30
D	0.50	0.60
E	0.25	0.45
H	0.02	0.10
J	0.05	0.15
K	3.55	3.85

SOD-323



SOD-323		
Dim	Min	Max
A	1.60	1.80
B	1.20	1.40
C	0.80	0.90
D	0.25	0.35
E	0.22	0.42
H	0.02	0.10
J	0.05	0.15
K	2.55	2.75

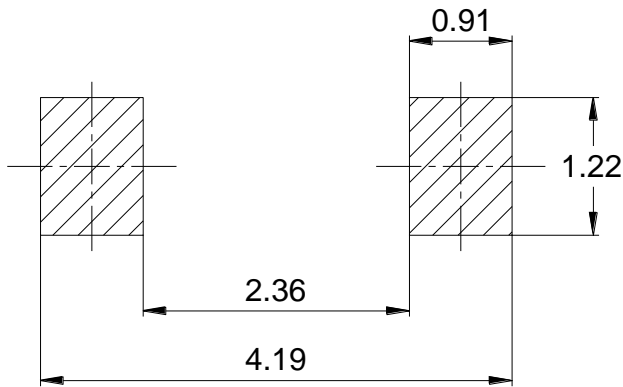
DFN1006-2



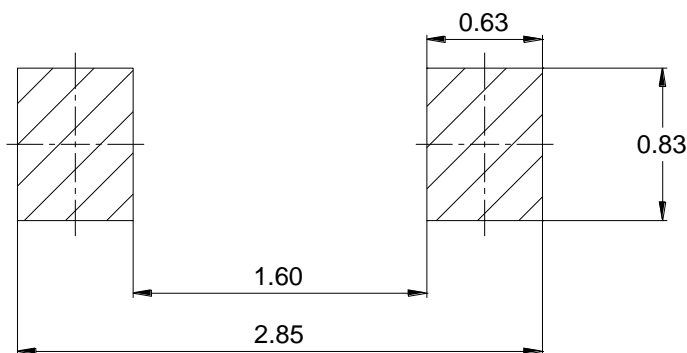
DFN1006-2			
Dim	Min	Typ	Max
A	0.95	1.00	1.075
B	0.47	0.50	0.53
C	0.55	0.60	0.675
D	0.45	0.50	0.55
E	0.20	0.25	0.30
F	-	0.40	-
H	0	0.03	0.05

Mounting Pad Layout (unit: mm)

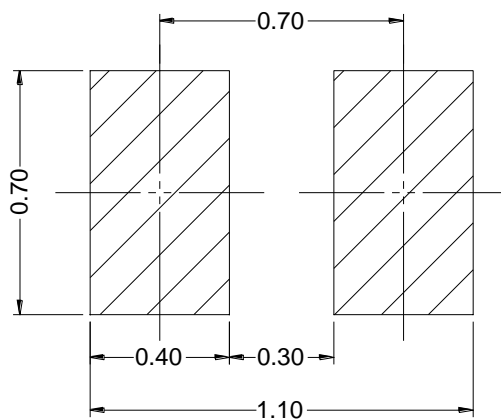
SOD-123



SOD-323



DFN1006-2



IMPORTANT NOTICE

Galaxy Microelectronics (GME) reserves the right to make changes without further notice to any product herein to make corrections, modifications, improvements, or other changes. GME does not assume any liability arising out of the application or use of any product described herein; neither does it convey any license under its patent rights, nor the rights of others.